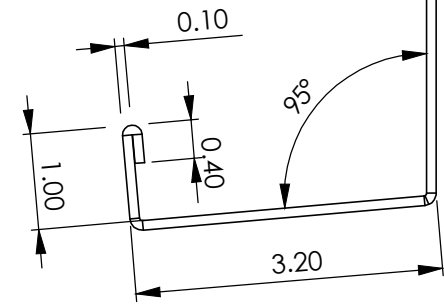
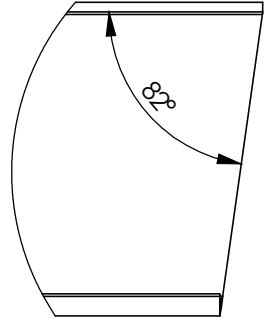
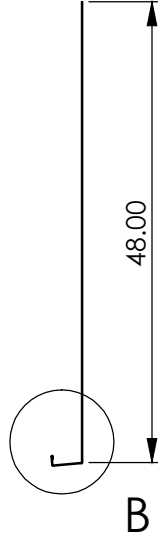
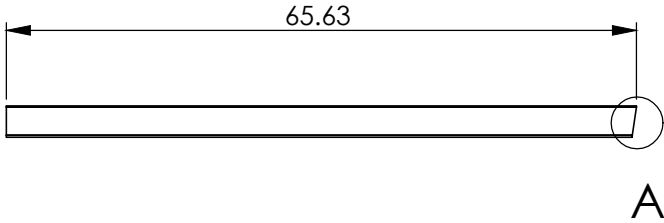


DETAIL A SCALE 1 : 2

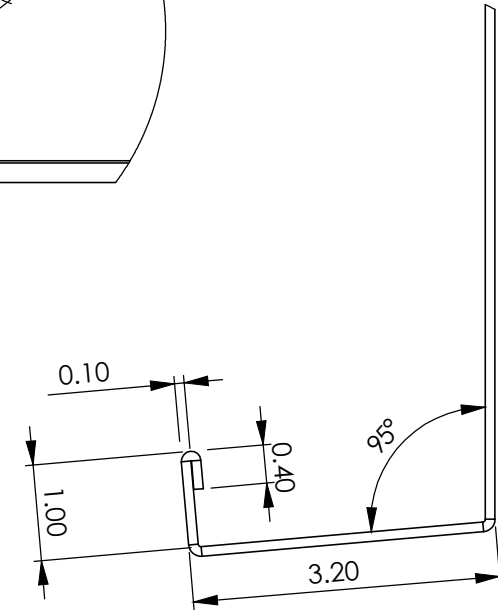
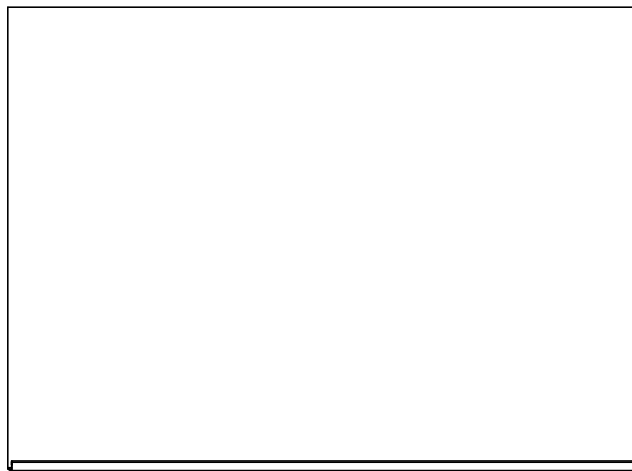
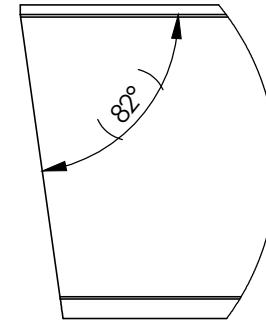
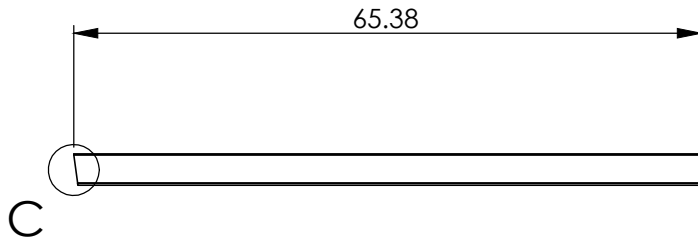


DETAIL B SCALE 1 : 2

PROPRIETARY AND CONFIDENTIAL
 THE INFORMATION CONTAINED IN THIS DRAWING IS THE SOLE PROPERTY OF DAEDALUS EXCEL. ANY REPRODUCTION IN PART OR AS A WHOLE WITHOUT THE WRITTEN PERMISSION OF DAEDALUS EXCEL IS PROHIBITED.

DIMENSIONS ARE IN INCHES TOLERANCES: +/- 0.010 IN		NAME	DATE	Daedalus Excel Product Development	
		MODEL	JS	Conference Room Whiteboards	
		REVISION	YL	30-Apr-2009	
		DRAWING	NS	04-May-2009	
		MFG APPR.			
		Q.A.			
		COMMENTS:		North Wall A	
MATERIAL/FINISH UWS6-0032		Supplier Contact: Ron Traister Clark Metal Products 100 Serrell Drive Blairsville, PA 15717 traister@clark-metal.com 724.459.7550 x143			
DO NOT SCALE DRAWING		SIZE	DWG. NO.	REV.	
		A			
		SCALE:1:20	WEIGHT:	SHEET 1 OF 10	

DETAIL C SCALE 1 : 2



DETAIL D SCALE 1 : 2

PROPRIETARY AND CONFIDENTIAL
 THE INFORMATION CONTAINED IN THIS DRAWING IS THE SOLE PROPERTY OF DAEDALUS EXCEL. ANY REPRODUCTION IN PART OR AS A WHOLE WITHOUT THE WRITTEN PERMISSION OF DAEDALUS EXCEL IS PROHIBITED.

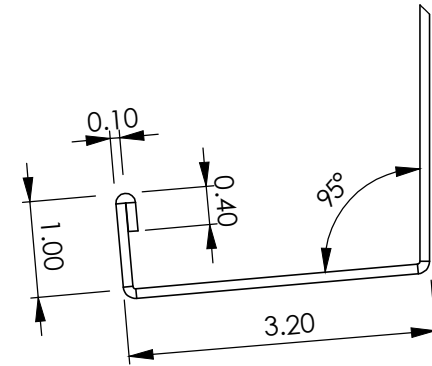
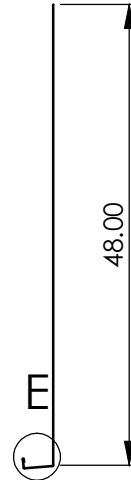
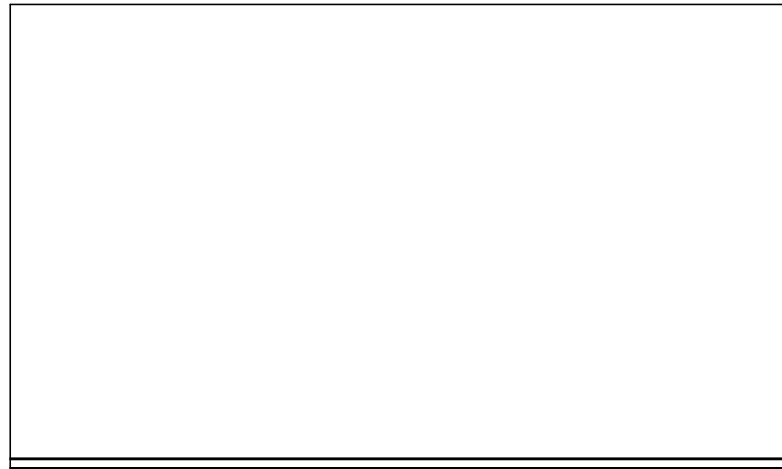
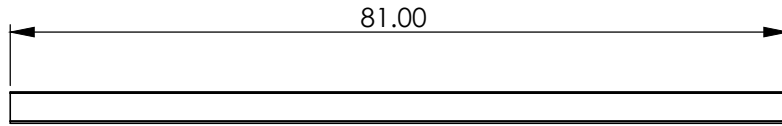
DIMENSIONS ARE IN INCHES
 TOLERANCES: +/- 0.010 IN

MATERIAL/FINISH UWS6-0032

DO NOT SCALE DRAWING

MODEL	NAME	DATE
REVISION	YL	30-Apr-2009
DRAWING	NS	04-May-2009
MFG APPR.		
Q.A.		
COMMENTS:		
Supplier Contact: Ron Traister Clark Metal Products 100 Serrell Drive Blairsville, PA 15717 rtraister@clark-metal.com 724.459.7550 x143		

Daedalus Excel Product Development		
Conference Room Whiteboards		
North Wall B		
SIZE A	DWG. NO.	REV.
SCALE:1:20	WEIGHT:	SHEET 2 OF 10



DETAIL E
SCALE 1 : 2

PROPRIETARY AND CONFIDENTIAL
THE INFORMATION CONTAINED IN THIS DRAWING IS THE SOLE PROPERTY OF DAEDALUS EXCEL. ANY REPRODUCTION IN PART OR AS A WHOLE WITHOUT THE WRITTEN PERMISSION OF DAEDALUS EXCEL IS PROHIBITED.

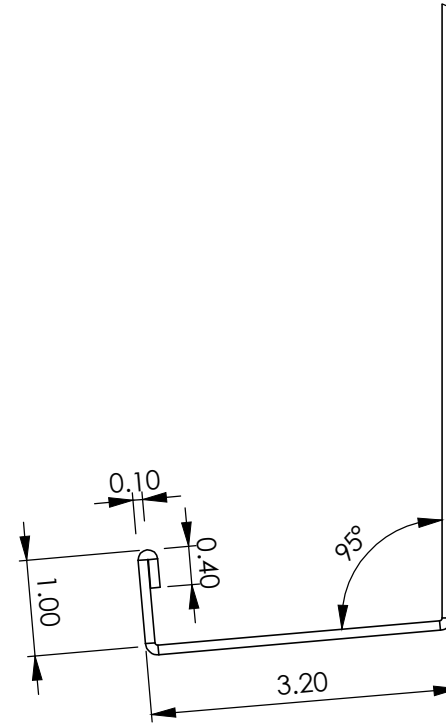
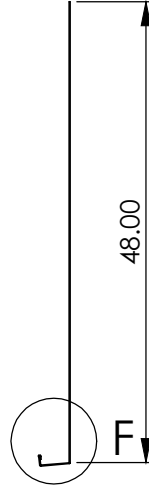
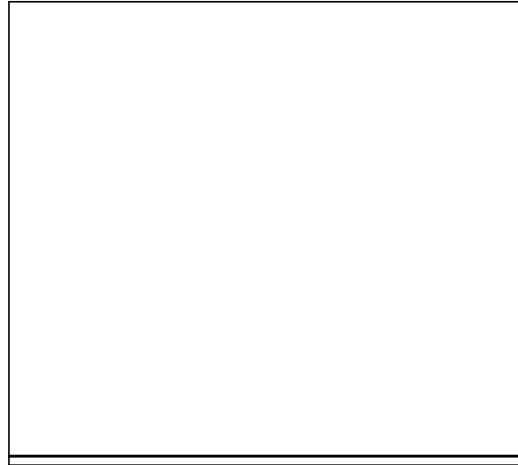
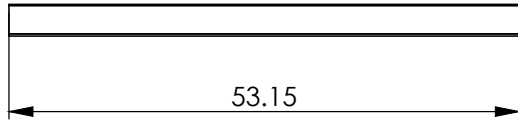
DIMENSIONS ARE IN INCHES
TOLERANCES: +/- 0.010 IN

MATERIAL/FINISH **UWS6-0032**

DO NOT SCALE DRAWING

	NAME	DATE
MODEL	JS	17-Dec-2008
REVISION	YL	30-Apr-2009
DRAWING	NS	04-May-2009
MFG APPR.		
Q.A.		
COMMENTS:		
Supplier Contact: Ron Traister Clark Metal Products 100 Serrell Drive Blairsville, PA 15717 rtraister@clark-metal.com 724.459.7550 x143		

Daedalus Excel Product Development		
Conference Room Whiteboards		
North East Corner		
SIZE A	DWG. NO.	REV.
SCALE:1:20	WEIGHT:	SHEET 3 OF 10



DETAIL F
SCALE 1 : 2

PROPRIETARY AND CONFIDENTIAL
THE INFORMATION CONTAINED IN THIS DRAWING IS THE SOLE PROPERTY OF DAEDALUS EXCEL. ANY REPRODUCTION IN PART OR AS A WHOLE WITHOUT THE WRITTEN PERMISSION OF DAEDALUS EXCEL IS PROHIBITED.

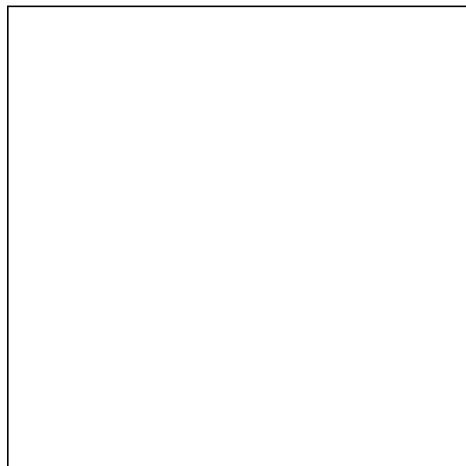
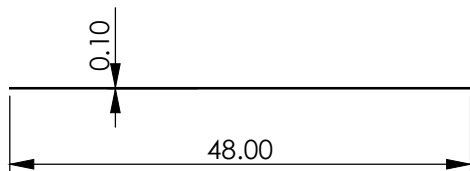
DIMENSIONS ARE IN INCHES
TOLERANCES: +/- 0.010 IN

MATERIAL/FINISH **UWS6-0032**

DO NOT SCALE DRAWING

	NAME	DATE
MODEL	JS	17-Dec-2008
REVISION	YL	30-Apr-2009
DRAWING	NS	04-May-2009
MFG APPR.		
Q.A.		
COMMENTS:		
Supplier Contact: Ron Traister Clark Metal Products 100 Serrell Drive Blairsville, PA 15717 traister@clark-metal.com 724.459.7550 x143		

Daedalus Excel Product Development		
Conference Room Whiteboards		
S. East Corner A		
SIZE A	DWG. NO.	REV.
SCALE:1:20	WEIGHT:	SHEET 4 OF 10



PROPRIETARY AND CONFIDENTIAL
 THE INFORMATION CONTAINED IN THIS
 DRAWING IS THE SOLE PROPERTY OF
 DAEDALUS EXCEL. ANY
 REPRODUCTION IN PART OR AS A WHOLE
 WITHOUT THE WRITTEN PERMISSION OF
 DAEDALUS EXCEL IS PROHIBITED.

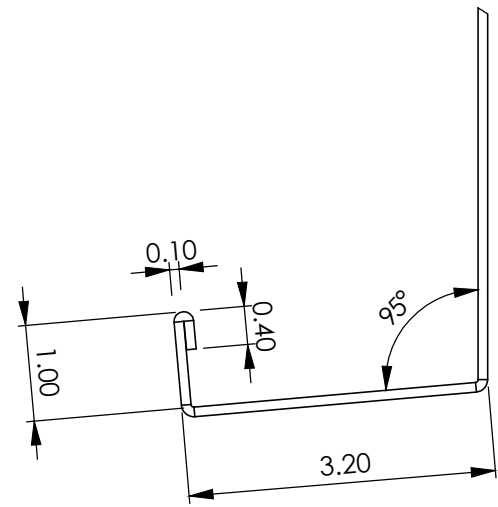
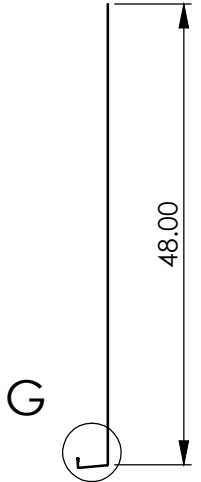
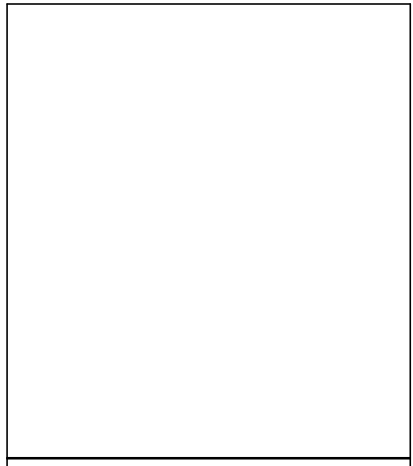
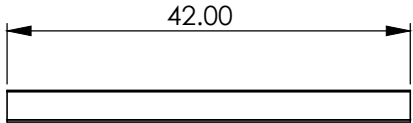
DIMENSIONS ARE IN INCHES
 TOLERANCES: +/- 0.010 IN

MATERIAL/FINISH UWS6-0032

DO NOT SCALE DRAWING

	NAME	DATE
MODEL	JS	17-Dec-2008
REVISION	YL	30-Apr-2009
DRAWING	NS	04-May-2009
MFG APPR.		
Q.A.		
COMMENTS:		
Supplier Contact: Ron Traister Clark Metal Products 100 Serrell Drive Blairsville, PA 15717 rtraister@clark-metal.com 724.459.7550 x143		

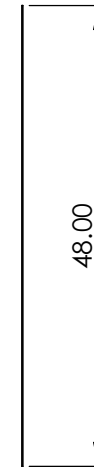
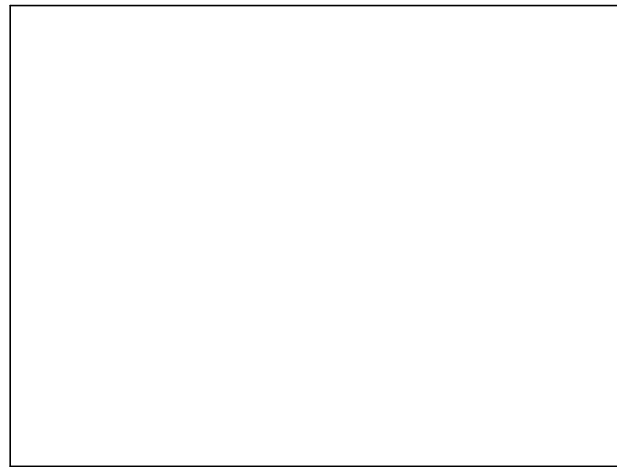
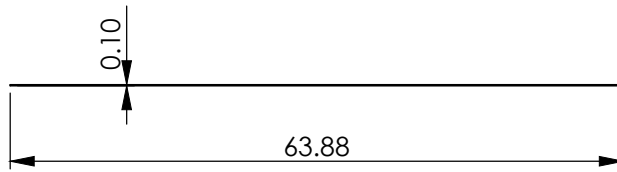
Daedalus Excel Product Development		
Conference Room Whiteboards		
S. East Corner B		
SIZE A	DWG. NO.	REV.
SCALE:1:20	WEIGHT:	SHEET 5 OF 10



DETAIL G
SCALE 1 : 2

PROPRIETARY AND CONFIDENTIAL
THE INFORMATION CONTAINED IN THIS DRAWING IS THE SOLE PROPERTY OF DAEDALUS EXCEL. ANY REPRODUCTION IN PART OR AS A WHOLE WITHOUT THE WRITTEN PERMISSION OF DAEDALUS EXCEL IS PROHIBITED.

DIMENSIONS ARE IN INCHES TOLERANCES: +/- 0.010 IN		NAME	DATE	Daedalus Excel Product Development	
MATERIAL/FINISH UWS6-0032		MODEL	JS	17-Dec-2008	Conference Room Whiteboards
		REVISION	YL	30-Apr-2009	
		DRAWING	NS	04-May-2009	
		MFG APPR.			
		Q.A.			
DO NOT SCALE DRAWING		COMMENTS: Supplier Contact: Ron Traister Clark Metal Products 100 Serrell Drive Blairsville, PA 15717 rtraister@clark-metal.com 724.459.7550 x143		S. West Corner A	
SIZE A	DWG. NO.	SCALE:1:20		WEIGHT:	REV.
				SHEET 6 OF 10	



PROPRIETARY AND CONFIDENTIAL
 THE INFORMATION CONTAINED IN THIS
 DRAWING IS THE SOLE PROPERTY OF
 DAEDALUS EXCEL. ANY
 REPRODUCTION IN PART OR AS A WHOLE
 WITHOUT THE WRITTEN PERMISSION OF
 DAEDALUS EXCEL IS PROHIBITED.

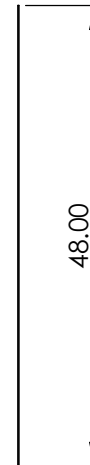
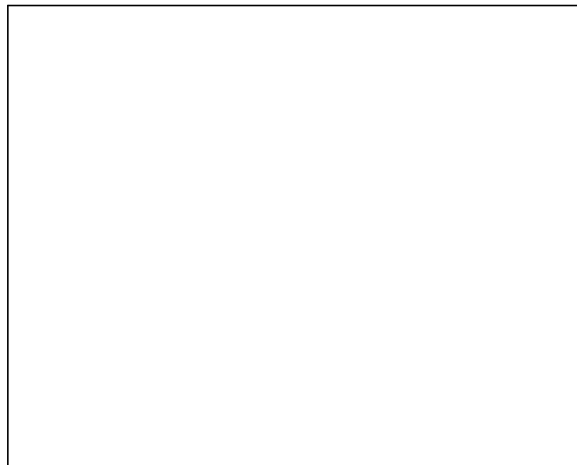
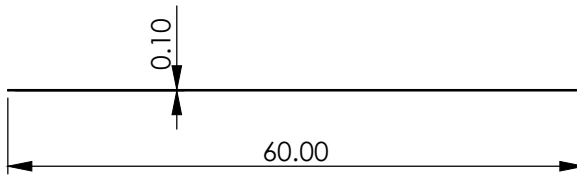
DIMENSIONS ARE IN INCHES
 TOLERANCES: +/- 0.010 IN

MATERIAL/FINISH **UWS6-0032**

DO NOT SCALE DRAWING

	NAME	DATE
MODEL	JS	17-Dec-2008
REVISION	YL	30-Apr-2009
DRAWING	NS	04-May-2009
MFG APPR.		
Q.A.		
COMMENTS:		
Supplier Contact: Ron Traister Clark Metal Products 100 Serrell Drive Blairsville, PA 15717 rtraister@clark-metal.com 724.459.7550 x143		

Daedalus Excel Product Development		
Conference Room Whiteboards		
S. West Corner B		
SIZE A	DWG. NO.	REV.
SCALE:1:20	WEIGHT:	SHEET 7 OF 10



PROPRIETARY AND CONFIDENTIAL
 THE INFORMATION CONTAINED IN THIS DRAWING IS THE SOLE PROPERTY OF DAEDALUS EXCEL. ANY REPRODUCTION IN PART OR AS A WHOLE WITHOUT THE WRITTEN PERMISSION OF DAEDALUS EXCEL IS PROHIBITED.

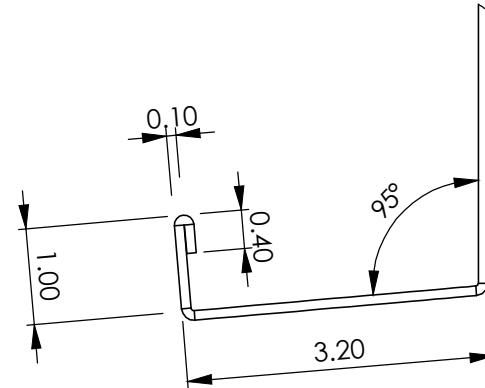
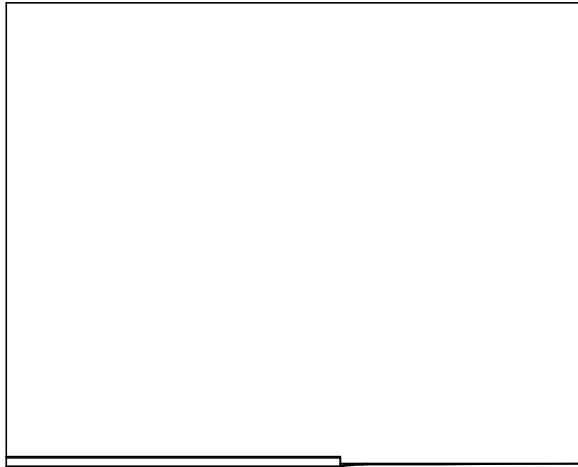
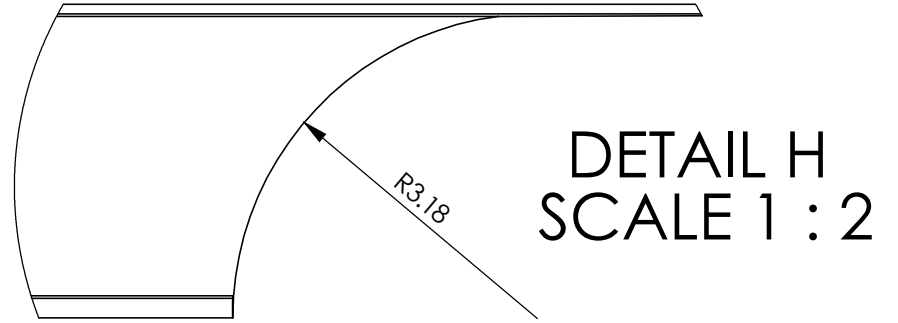
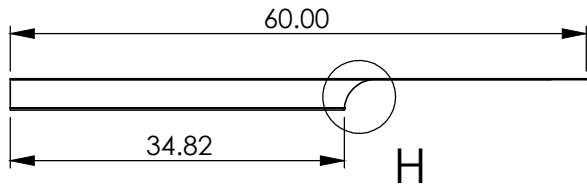
DIMENSIONS ARE IN INCHES
 TOLERANCES: +/- 0.010 IN

MATERIAL/FINISH UWS6-0032

DO NOT SCALE DRAWING

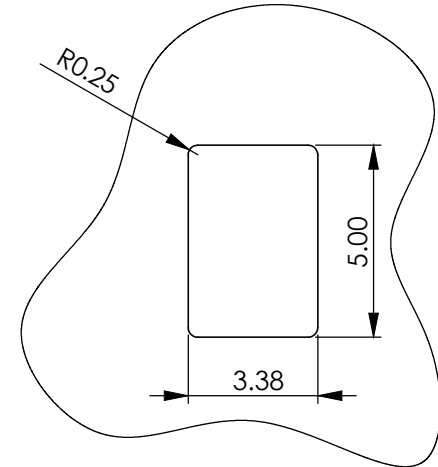
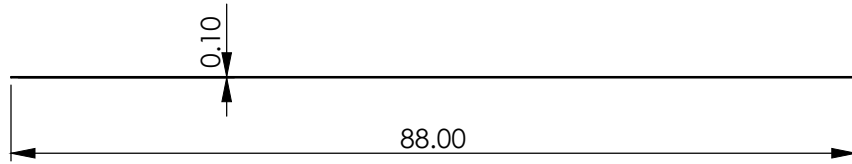
MODEL	NAME	DATE
JS		17-Dec-2008
YL		30-Apr-2009
NS		04-May-2009
	MFG APPR.	
	Q.A.	
COMMENTS:		
Supplier Contact: Ron Traister Clark Metal Products 100 Serrell Drive Blairsville, PA 15717 rtraister@clark-metal.com 724.459.7550 x143		

Daedalus Excel Product Development		
Conference Room Whiteboards		
Window Cover S.		
SIZE A	DWG. NO.	REV.
SCALE:1:20	WEIGHT:	SHEET 8 OF 10



PROPRIETARY AND CONFIDENTIAL
THE INFORMATION CONTAINED IN THIS DRAWING IS THE SOLE PROPERTY OF DAEDALUS EXCEL. ANY REPRODUCTION IN PART OR AS A WHOLE WITHOUT THE WRITTEN PERMISSION OF DAEDALUS EXCEL IS PROHIBITED.

DIMENSIONS ARE IN INCHES TOLERANCES: +/- 0.010 IN		NAME	DATE	Daedalus Excel Product Development	
		MODEL	JS	17-Dec-2008	
		REVISION	YL	30-Apr-2009	
		DRAWING	NS	04-May-2009	
		MFG APPR.			
		Q.A.			
		COMMENTS:		Conference Room Whiteboards	
MATERIAL/FINISH UWS6-0032		Supplier Contact: Ron Traister Clark Metal Products 100 Serrell Drive Blairsville, PA 15717 rtraister@clark-metal.com 724.459.7550 x143		Window Cover N.	
DO NOT SCALE DRAWING		SIZE	DWG. NO.	REV.	
		A			
		SCALE:1:20	WEIGHT:	SHEET 9 OF 10	



DETAIL J
SCALE 1 : 5

PROPRIETARY AND CONFIDENTIAL
THE INFORMATION CONTAINED IN THIS DRAWING IS THE SOLE PROPERTY OF DAEDALUS EXCEL. ANY REPRODUCTION IN PART OR AS A WHOLE WITHOUT THE WRITTEN PERMISSION OF DAEDALUS EXCEL IS PROHIBITED.

DIMENSIONS ARE IN INCHES
TOLERANCES: +/- 0.010 IN

MATERIAL/FINISH UWS6-0032

DO NOT SCALE DRAWING

MODEL	NAME	DATE
JS		17-Dec-2008
YL		30-Apr-2009
NS		04-May-2009
COMMENTS:		
Supplier Contact: Ron Traister Clark Metal Products 100 Serrell Drive Blairsville, PA 15717 rtraister@clark-metal.com 724.459.7550 x143		

Daedalus Excel Product Development		
Conference Room Whiteboards		
North West Corner		
SIZE	DWG. NO.	REV.
A		
SCALE:1:20	WEIGHT:	SHEET 10 OF 10